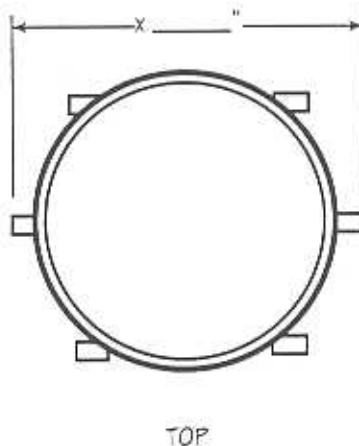
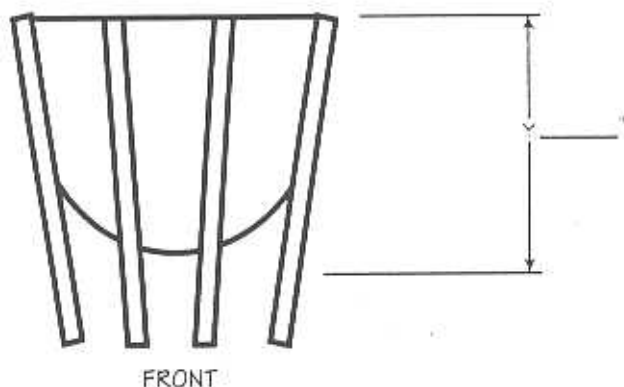


# "Timpani Pro Cover Spec Sheet"

To provide you with custom fitted Pro Covers, please measure your instruments as instructed in this spec sheet and complete the blanks below:

PLEASE CHECK ONE;     INCHES     CENTIMETERS

TIMPANI



**NOTE:** Please allow for any protruding parts such as motors, bolts, knobs, gages, etc.

To process your order, your signature is required below. Please state your instrument make and model number.

\_\_\_\_\_

Instrument make

\_\_\_\_\_

Model

\_\_\_\_\_

Signature

\_\_\_\_\_

Date

Please allow 3-4 weeks for custom covers