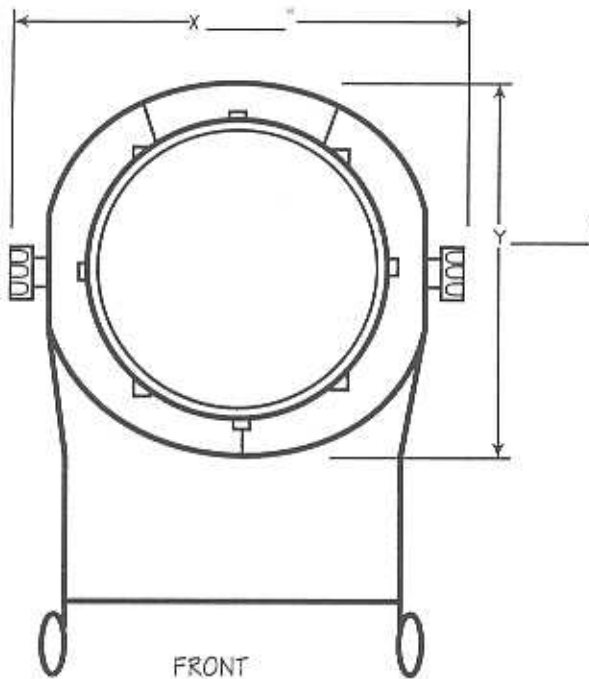


"Concert Bass Pro Cover Spec Sheet"

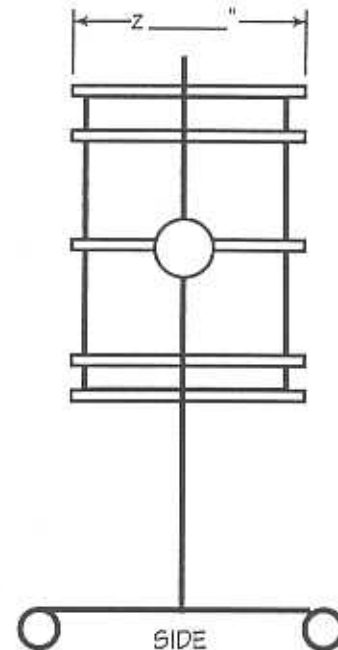
To provide you with custom fitted Pro Covers, please measure your instruments as instructed in this spec sheet and complete the blanks below:

PLEASE CHECK ONE; INCHES CENTIMETERS

CONCERT BASS



FRONT



SIDE

NOTE: Please allow for any protruding parts such as motors, bolts, knobs, gages, etc.

To process your order, your signature is required below. Please state your instrument make and model number.

Instrument make

Model

Signature

Date

Please allow 3-4 weeks for custom covers